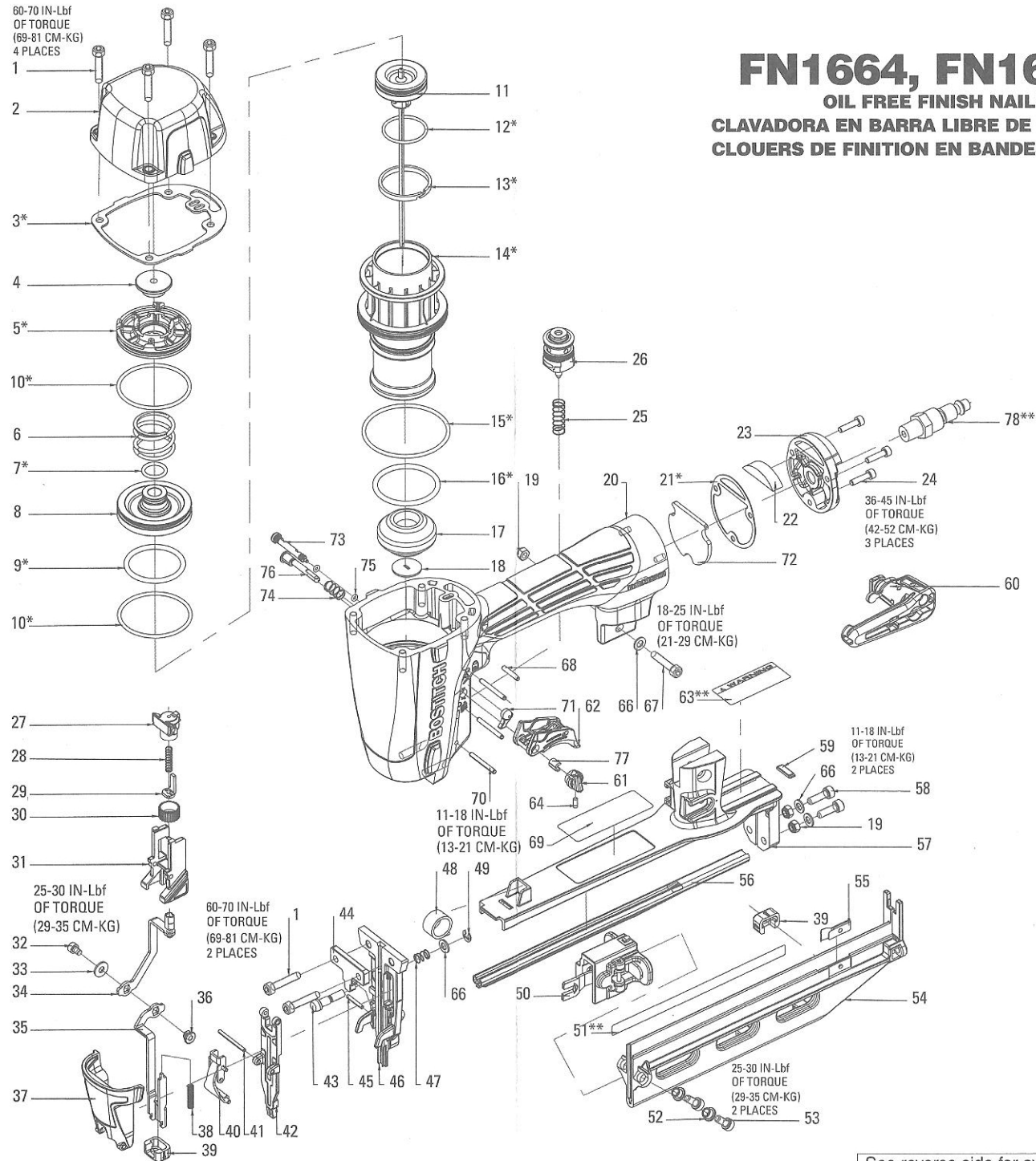


# FN1664, FN1664-E

OIL FREE FINISH NAILER  
 CLAVADORA EN BARRA LIBRE DE LUBRICACIÓN  
 CLOUERS DE FINITION EN BANDES SANS HUILE



## BOSTITCH

<b>FN1664, FN1664-E</b>		<b>Parts List:</b>		IP1280-2REVF	
<b>To be Used with tool parts illustration:</b> IP1280-1REVD <b>and operation and maintenance manual:</b> 180586 <b>Serial Number on the Tool:</b> FN1664 <b>08329000</b> and Higher FN1664-E <b>08329000</b> and Higher					
ITEM	PART #	DESCRIPTION	ITEM	PART #	DESCRIPTION
1	MSC5080-25	SCREW, SHCS, M5X0.80X25	54	181916	MAGAZINE, BOTTOM
2	181918	ASSEMBLY, CAP	55	180564	NAIL STOP
3	180226	GASKET, FRAME/CAP	56	180560	ASSEMBLY, NAIL LINER
4	180533	TOP SEAL, HEAD VALVE	57	180236	MAGAZINE, UPPER
5	180230	SEAL, HEAD VALVE	58	MSC5080-16	SCREW, SHCS, M5X0.80X16
6	180532	SPRING, HEAD VALVE	59	180581	END COVER, SENSOMATIC
7	100843	O-RING, 13.8MMX2.4MM	60	180515	ASSEMBLY, BELT HOOK (for FN1664)
8	180537	HEAD VALVE		182272	ASSEMBLY, BELT HOOK, EU (for FN1664-E)
9	182253	O-RING, 1.420 X 0.139, NBR	61	184506	BUTTON, MODE SWITCH
10	850605	O-RING, 1.925 X 0.103, NBR	62	184513	ASSEMBLY, TRIGGER
11	180292	ASSEMBLY, PISTON/DRIVER	63**	180582	LABEL, WARNING
12	180544	O-RING, 31.0MMX2.0MM	64	180484	SCREW, SET, M3X8MM
13	180543	RING, PISTON	66	180569	WASHER, PLAIN, D5X10X1
14	180538	SLEEVE, CYLINDER	67	MSC5080-22-2	SCREW, SHCS, M5X0.80X22-2
15	166047	O-RING, 2.300 X .103	68	107583	PIN, SPRING, M3X18 MM
16	180540	O-RING, 41.7MMX3.5MM	69	180296	LABEL, WARNING (for FN1664)
17	180549	BUMPER		182243	LABEL, FN1664-E (for FN1664-E)
18	180293	DRIVER GUIDE	70	174345	PIN, SPRING, M3X28
19	MHE5080-100	NUT, NLN M5 x .80	71	184518	BUTTON, TRIGGER LOCK
20	180222	FRAME, OVERMOLD	72	182235	AIR FILTER
21	180463	GASKET, END CAP	73	184519	PIN, TRIGGER LOCK
22	180577	MUFFLER	74	180481	SPRING, MODE SWITCH
23	180465	END CAP	75	MRG002514	O-RING, .098 x .055
24	MSC4070-16	SCREW, SHCS, M4X0.70X16	76	184507	PIN, MODE SWITCH
25	180476	SPRING, TRIGGER	77	184508	BUSHING, TRIGGER
26	TVA15	ASSEMBLY, TRIGGER VALVE	78**	ISWIVEL-14M	INDUSTRIAL SWIVEL PLUG 1/4" MPT
27	180514	GUIDE, UPPER TRIP	** NOT INCLUDED IN FN1664-E (EURO VERSION)		
28	180513	SPRING, CONTACT ARM			
29	180510	ASSEMBLY, UPPER CONTACT ARM			
30	180509	ADJUSTING KNOB			
31	180290	GUIDE, TRIP			
32	MSC4070-6	SCREW, SHCS, M4X0.70X6			
33	121294	WASHER, PWR M4			
34	180310	ASSEMBLY, TRIP			
35	180234	ARM, LOWER CONTACT			
36	180311	FIXED NUT			
37	180229	COVER, LOWER CONTACT ARM			
38	180312	SPRING, CONTACT ARM			
39	180213	FOOT, CONTACT (NO MAR)			
40	180294	ASSEMBLY, PINCH PLATE			
41	180552	PIN, SPRING M2.5X30mm			
42	180212	DOOR, MACHINING			
43	180220	LOCKOUT, DRYFIRE			
44	180237	DRIVER GUIDE B			
45	MPG025018	PIN, SPRING M2.5 X 18 mm			
46	180210	NOSE, MACHINING			
47	180550	SPRING, LOCK OUT			
48	180563	SPRING, CONTACT FORCE			
49	180551	E-RING, 4MM			
50	180232	ASSEMBLY, PUSHER			
51**	180303	LABEL, PRODUCT/FASTENER FN1664			
52	180235	BUSHING			
53	MSC5080-12	SCREW, SHCS, M5X0.80X12			