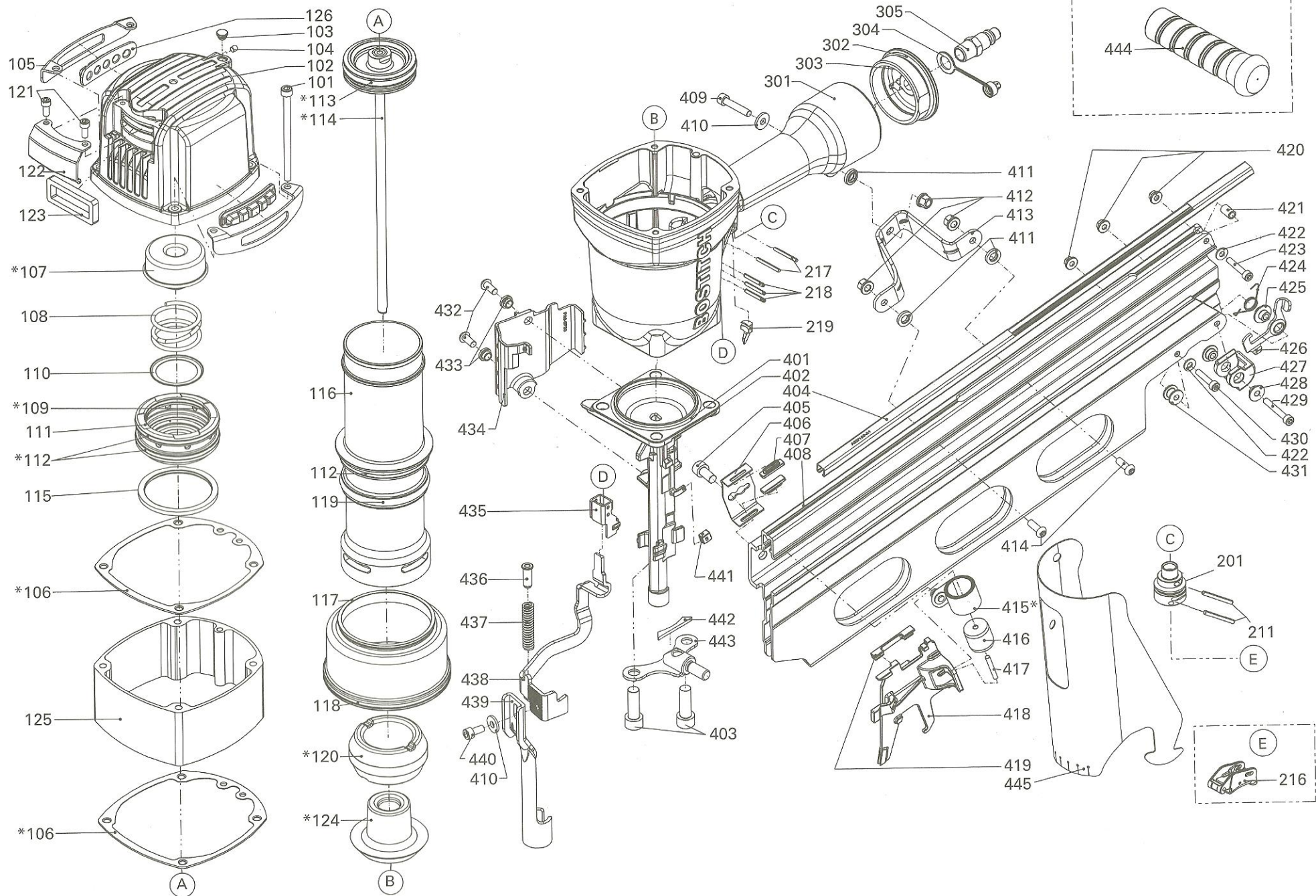


BRT160-E



BOSTITCH®

BRT160-E

Parts List: IP1349-2RA

To be Used with tool parts illustration: IP1349-1RA

and operation and maintenance manual: FT71946_a_1110

Serial Number on the Tool:

Serial No.00000 and Higher

ITEM	PART #	DESCRIPTION	ITEM	PART #	DESCRIPTION
101	9R196781	HEX.SOC.HD.BOLT	409	9R196815	HEX.SOC.HD.BOLT
102	7BUSB-3103001	CAP	410	9B01724R	FLAT WASHER
103	9B01668R	PLUG	411	9R196816	SEAL
104	9B01723R	HEX.SOC.HD.SCREW	412	9B01729R	NUT
105	9B01717R	BRACKET	413	9R196817	MAGAZINE BRACKET
106*	9B01607R	CYLINDER CAP SEAL	414	9R196818	HALF ROUND HD.HEX.BOLT
107*	9B01695R	SEAL	415*	9R196819	PUSHER SPRING
108	9B01673R	COMPRESSION SPRING	416	9R196820	ROLLER
109*	9B01741R	O-RING	417	9R196821	PIN
110	9B01702R	WASHER	418	9R196822	PUSHER
111	9B01689R	HD.VALVE PISTON	419	9R196823	PUSHER BEARING
112*	9B01743R	O-RING	420	9R196824	NUT
113*	9B01733R	O-RING	421	9R196825	BUSHING
114*	9R196782	PISTON DRIVER ASSEMBLY	422	9R196826	FLAT WASHER
115	9B01720R	COLLAR	423	9R196827	HEX.SOC.HD.BOLT
116	9R196783	CYLINDER	424	9R196828	LATCH SPRING
117	9R196784	BULK HEAD	425	9R196829	WASHER
118	9B01739R	O-RING	426	9R196830	LATCH
119	9B01744R	O-RING	427	9R196831	BUMPER
120	9B01627R	BUMPER A	428	9R196832	SPECIAL WASHER
121	9R196785	HEX.SOC.HD.BOLT	429	BB40432	HEX.SOC.HD.BOLT
122	9B01697R	EXHAUST DEFLECTOR	430	9R196833	HEX.SOC.HD.BOLT
123	9R196786	MUFFLER	431	9R196834	SPACER
124*	9B01628R	BUMPER B	432	9R196835	HALF ROUND HD.HEX.BOLT
125	9R196787	LOWER CAP	433	9R196836	BUSHING
126	9B01667R	GUARD PAD	434	9R196837	TRIP GUARD
201	9R196801	ASSEMBLY, TRIGGER VALVE	435	N70145	UPPER CONTACT ARM GUIDE
211	9R196798	PIN	436	9R196838	SPRING GUIDE
216	9R196802	TRIGGER UNIT	437	9R196839	TRIP SPRING
217	9R196803	SPIRAL PINS	438	9R196840	UPPER CONTACT ARM
218	9B01727R	SPIRAL PINS	439	9R196841	LOWER CONTACT ARM
219	9R196804	POSITIONING SHEET	440	MSB6100-12	HEX.SOC.HD.BOLT
301	9R196805	FRAME	441	9R196842	FEED BUMPER
302	9R196806	O-RING	442	9R196843	RUBBER PAD
303	9R196807	END CAP	443	9B01602R	HANDLE BRACKET
305	9R196808	AIR FITTING	444	9R196844	SECONDARY HANDLE
401	9B01738R	O-RING	445	9R196845	COLLATION GUARD
402	9R196809	NOSE			
403	MSC10150-30	HEX.SOC.HD.BOLT			
404	9R196810	NAIL GUIDE			
405	9R196811	HEX.SOC.HD.BOLT			
406	9R196812	BRACKET			
407	9R196813	MOUNTING PAD			
408	9R196814	MAGAZINE			